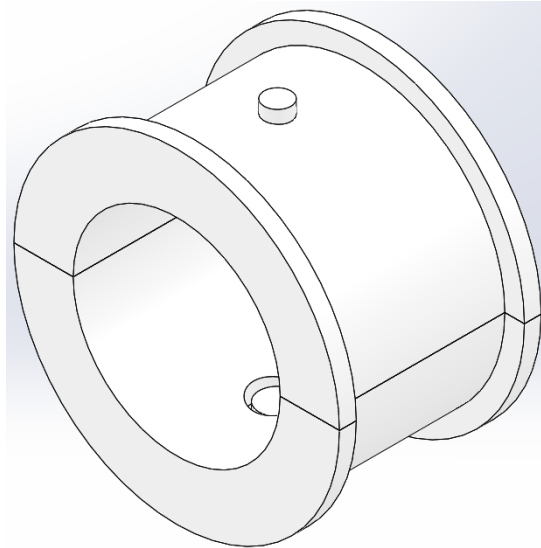


**ENGINEERED PRODUCTS – PRICE LIST****HANGER BRACKETS (UHC)**

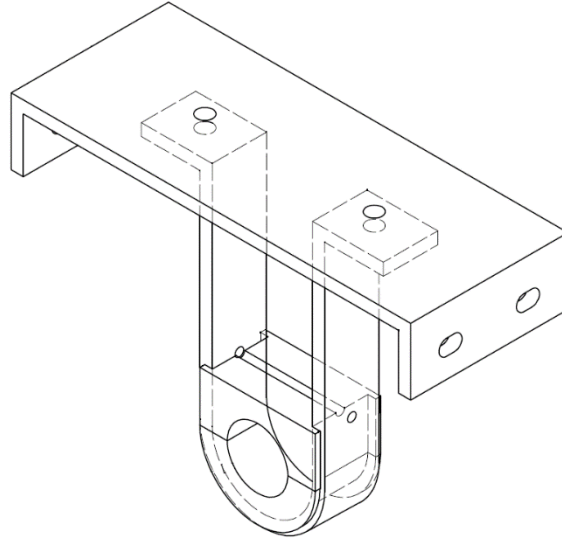
CONVEYOR DIAMETER	SHAFT SIZE	PART NUMBER	LIST PRICE (HANGER BRACKET ONLY)	LIST PRICE (WITH BRIDGE PLATE)
150	40	UHC-150-40		
225	40	UHC-225-40		
	50	UHC-225-50		
250	40	UHC-250-40		
	50	UHC-250-50		
300	50	UHC-300-50		
	65	UHC-300-65		
	75	UHC-300-75		
350	65	UHC-350-65		
	75	UHC-350-75		
400	65	UHC-400-65		
	75	UHC-400-75		
450	75	UHC-450-75		
500	75	UHC-500-75		
600	75	UHC-600-75		
750	75	UHC-750-100		

All Prices are Effective as at 24-5-2016. Prices are all Ex works and do not include GST.

**HANGER BEARINGS (HBC)**

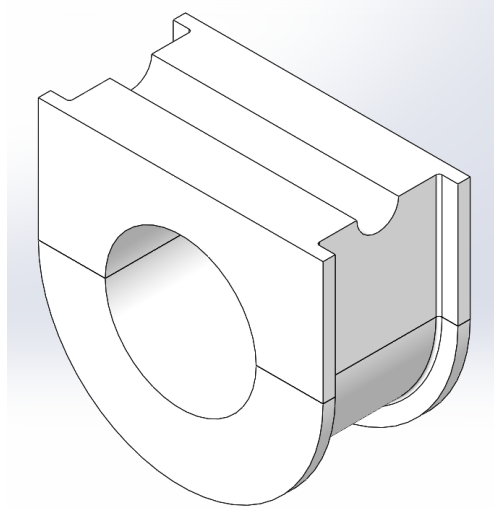
SHAFT DIAMETER	PART NUMBER	WOOD (W)	UHMWPE (U)
40	HBC-40-*		
50	HBC-50-*		
65	HBC-65-*		
75	HBC-75-*		

**HANGER BRACKETS (UHU)**

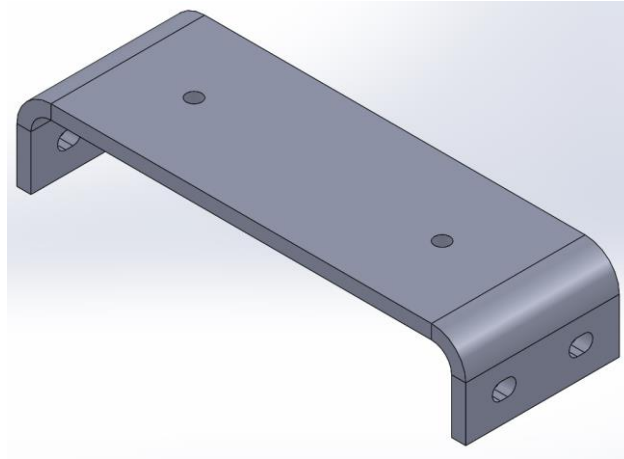


CONVEYOR DIAMETER	SHAFT SIZE	PART NUMBER	LIST PRICE (HANGER BRACKET ONLY)	LIST PRICE (WITH BRIDGE PLATE)
150	40	UHU-150-40		
225	40	UHU-225-40		
	50	UHU-225-50		
250	40	UHU-250-40		
	50	UHU-250-50		
300	50	UHU-300-50		
	65	UHU-300-65		
	75	UHU-300-75		
350	65	UHU-350-65		
	75	UHU-350-75		
400	65	UHU-400-65		
	75	UHU-400-75		
450	75	UHU-450-75		
	100	UHU-450-100		
500	75	UHU-500-75		
	100	UHU-500-100		
600	75	UHU-600-75		
	100	UHU-600-100		
750	100	UHU-750-100		

All Prices are Effective as at 24-5-2016. Prices are all Ex works and do not include GST.

**HANGER BEARINGS (HBU)**

SHAFT DIAMETER	PART NUMBER	UHMWPE	NI HARD	WOOD
40	HBU-40-*			
50	HBU-50-*			
65	HBU-65-*			
75	HBU-75-*			
100	HBU-100-*			

**BRIDGE PLATE (UBP)**

CONVEYOR DIAMETER	PART NUMBER	LIST PRICE
100	UBP-100	
150	UBP-150	
225	UBP-225	
250	UBP-250	
300	UBP-300	
350	UBP-350	
400	UBP-400	
450	UBP-450	
500	UBP-500	
600	UBP-600	
750	UBP-750	

## LABYRINTH SEAL



<b>PART NUMBER</b>	<b>SHAFT DIAMETER</b>	<b>LIST PRICE (INCLUDING FELT SEAL)</b>
LS-040	40mm	
LS-050	50mm	
LS-065	65mm	
LS-075	75mm	
LS-100	100mm	

## CLAMP EZY AIR PURGDE SEAL



PART NUMBER	SHAFT SIZE	LIST PRICE
CE-340	40	
CE-450	50	
CE-565	65	
CE-675	75	
CE-810	100	

FULL REPAIR KIT			MINOR REPAIR KIT		
Including	Shaft Dia	Price	Including	Shaft Dia	Price
Rotor Sleeve	40		Rotor Sleeve	40	
Rotor Seal	50		Rotor Seal	50	
Pressure Band	65		Pressure Band	65	
Stator Seal	75		O' Rings	75	
O' Rings	100			100	

All Prices are Effective as at 24-5-2016. Prices are all Ex works and do not include GST.